

OPUS IC BATTERY CABINETS

Battery cabinets with switch fuse protection

Accessory to
OPUS DC Systems

BATTERY CABINETS

IBC2066 2000 x 600 x 600 mm

IBC1666 1600 x 600 x 600 mm

Switch fuse protection
for 4 or 3 battery strings



POWER
GENERATION &
DISTRIBUTION



PROCESS
INDUSTRY



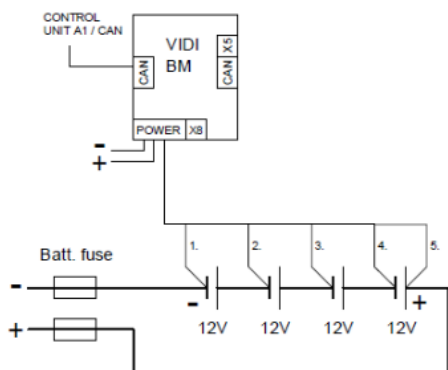
DEFENCE &
SECURITY



TELECOM

OPTION:

VIDI-BM battery block voltage monitoring



Product Description

OPUS INDUSTRIAL BATTERY CABINETS are visually similar cabinets as OPUS power systems. Cabinet includes 4 battery shelves and switch fuse protected internal wiring for 4 battery strings. Batteries up 1000kg and other user equipment can be installed to the cabinet.

Features:

- Battery shelves up to 4 x 48V/190Ah battery
- Switch fuse protected battery strings 3-4 x 125A NH00 – fuse monitoring
- Cable entry from top • Ventilation output on the top
- Adjustable legs • Strong welded structure and lifting eyes on the top

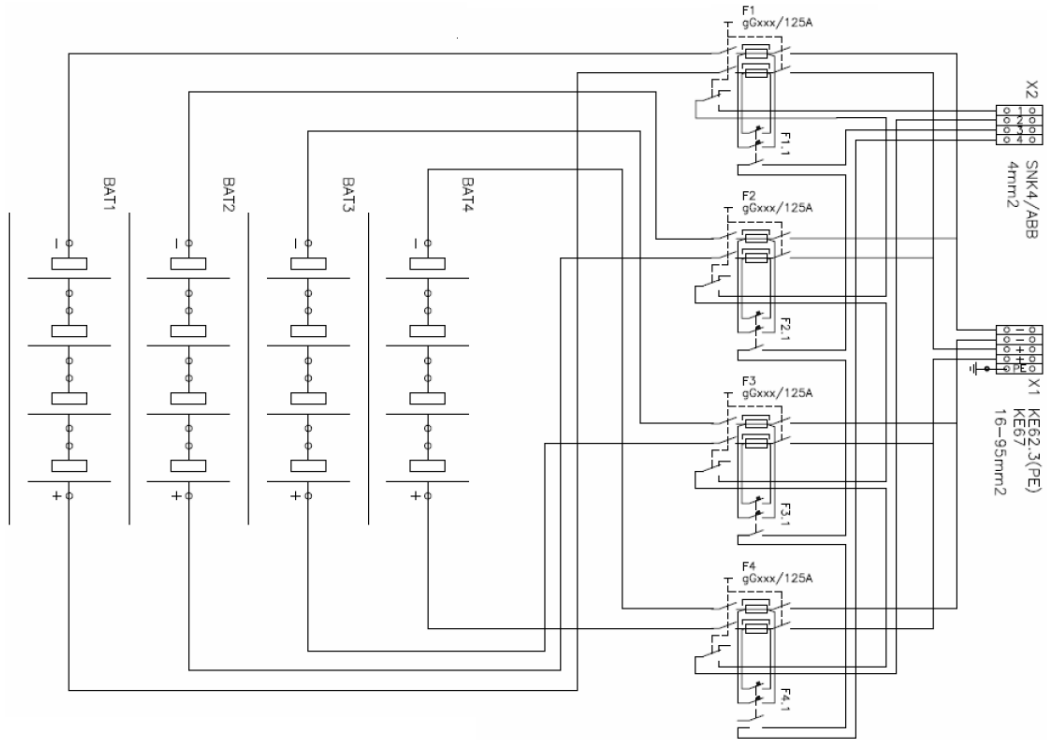
Order Information

Name	Order number	Description
IBC2066 4X125A 4XOS125	9220X0012631	OPUS Industrial Battery cabinet 2000 x 600 x 600 mm 4x125A 4xOS125
IBC1666 3X125A 3XOS125	922X015916	OPUS Industrial Battery cabinet 1600 x 600 x 600 mm 3x125A 3xOS125



Enedo Finland Oy
Martinkyläntie 43, 01720 Vantaa, Finland
Tel +358 9 478 466
www.enedopower.com

Schematic Diagram, IBC2066 cabinet, 4 strings



Mechanical Dimensions, connections, IBC2066 cabinet, 4 strings

