



ADC4370 SERIES

800W Battery Chargers and Power Supplies

- Wide output adjustment range 0...144VDC
- Analog control by external 0-5VDC voltage
- Temperature compensation charging, sense as on option
- Power fail relay alarm
- Master-Slave connection

CE



PRODUCT DESCRIPTION

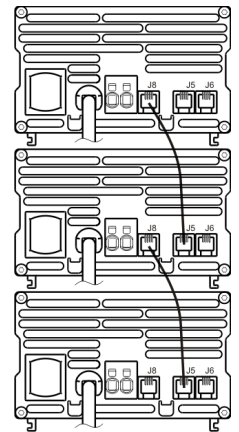
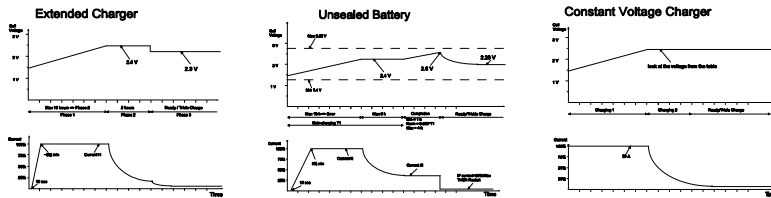
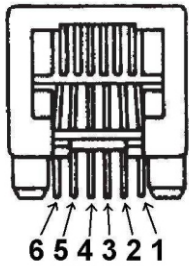
Analog control 0-5V, isolated
 Power fail relay alarm
 Analog control + relay alarm
 Slave unit (RS-232 bus IN/OUT)
 Slave unit + relay alarm (RS-232 bus IN)
 Temperature compensated battery charging
 Temperature compensated battery charging
 + relay alarm

APPLICATIONS

- Industrial battery chargers and power supplies
- Various industrial DC supplies
- Electric Vehicles
- Auxiliary DC supply for Telecom and Infrastructure
- Industrial machines (forklift charging, aux power in machines)

FEATURES

- 800W output power range modules
- Parallel and series connectable
- Master-Slave connection
- Wide input voltage range:
 55 – 264 VAC
 78 – 340 VDC
- 12, 24, 36, 48, 72 and 96VDC standard output variants
- Settable DC output voltage from 0 – 144VDC
- Settable output current
- Over 100 different model variations
- Optional analog control by external 0-5VDC
- Optional temperature compensation and charging algorithms
- Optional power fail relay alarm
- Easy custom modification



Analog control modular connector

Microprocessor controlled charging curves for all kind of batteries

Master-Slave connection

POWER SUPPLIES AND BATTERY CHARGERS, TRIMMER ADJUSTABLE

Type	Input Voltage range **)	Nominal output voltage	Voltage setting range	Nominal output current	Current setting range	Max power	Installation / dimensions (Width x Height x Depth, mm)
ADC4370/12	55-264VAC/78-340VDC	12 VDC	0-18VDC	50A	0-50A	800W	Wall/Din/Bench 220x112x73
ADC4370/24	55-264VAC/78-340VDC	24 VDC	0-36VDC	30A	0-30A	800W	Wall/Din/Bench 220x112x73
ADC4370/36	55-264VAC/78-340VDC	36 VDC	0-54VDC	20A	0-20A	800W	Wall/Din/Bench 220x112x73
ADC4370/48	55-264VAC/78-340VDC	48 VDC	0-72VDC	15 A	0-15A	800W	Wall/Din/Bench 220x112x73
ADC4370/72	55-264VAC/78-340VDC	72 VDC	0-108VDC	10A	0-10A	800W	Wall/Din/Bench 220x112x73
ADC4370/96	55-264VAC/78-340VDC	96 VDC	0-144VDC	7.5A	0-7.5A	800W	Wall/Din/Bench 220x112x73

ANALOG CONTROLLABLE MODELS BY EXTERNAL 0-5VDC VOLTAGE

Type *)	Input Voltage range **)	Nominal output voltage	Voltage setting range	Nominal output current	Current setting range	Max power	Installation / dimensions (Width x Height x Depth, mm)
ADC4370/12AI	55-264VAC/78-340VDC	12 VDC	0-18VDC	50A	0-50A	800W	Wall/Din/Bench 220x112x73
ADC4370/24AI	55-264VAC/78-340VDC	24 VDC	0-36VDC	30A	0-30A	800W	Wall/Din/Bench 220x112x73
ADC4370/36AI	55-264VAC/78-340VDC	36 VDC	0-54VDC	20A	0-20A	800W	Wall/Din/Bench 220x112x73
ADC4370/48AI	55-264VAC/78-340VDC	48 VDC	0-72VDC	15 A	0-15A	800W	Wall/Din/Bench 220x112x73
ADC4370/72AI	55-264VAC/78-340VDC	72 VDC	0-108VDC	10A	0-10A	800W	Wall/Din/Bench 220x112x73
ADC4370/96AI	55-264VAC/78-340VDC	96 VDC	0-144VDC	7.5A	0-7.5A	800W	Wall/Din/Bench 220x112x73

BATTERY CHARGERS WITH TEMPERATURE COMPENSATION

Type *)	Input Voltage range **)	Output voltage factory settings	Programmed output voltage (see table)	Output current (see table)	Max power *)	Installation / dimensions (Width x Height x Depth, mm)
ADC4370/12T	55-264VAC/78-340VDC	13.7 VDC	3.3...18VDC	50A	800W	Wall/Din/Bench 220x112x73
ADC4370/24T	55-264VAC/78-340VDC	27.4 VDC	5...36VDC	30A	800W	Wall/Din/Bench 220x112x73
ADC4370/36T	55-264VAC/78-340VDC	41.1 VDC	12...54VDC	20A	800W	Wall/Din/Bench 220x112x73
ADC4370/48T	55-264VAC/78-340VDC	54.8 VDC	24...72VDC	15A	800W	Wall/Din/Bench 220x112x73
ADC4370/72T	55-264VAC/78-340VDC	82.2 VDC	27...108VDC	10A	800W	Wall/Din/Bench 220x112x73
ADC4370/96T	55-264VAC/78-340VDC	123.3 VDC	48...144VDC	7.5A	800W	Wall/Din/Bench 220x112x73

*) Cable sets with modular connectors are included in packing: 1.5m cable set for analog control and 2.5m for or temp.comp models

***) Reduced power 55...200VAC or 78...200VDC, see curves at next page, max power 600W with DC input

MODELS WITH POWER FAIL RELAY ALARM (24V models as a type number example)

Type	Option description	Cable set
ADC4370/24H	Trimmer adjustable model with power fail relay alarm	1.5 m, modular connector
ADC4370/24AIH	Analog controllable model with power fail relay alarm	Analog + relay cables
ADC4370/24TH	Temp.comp model with Power fail relay alarm	Temp.comp + relay cables

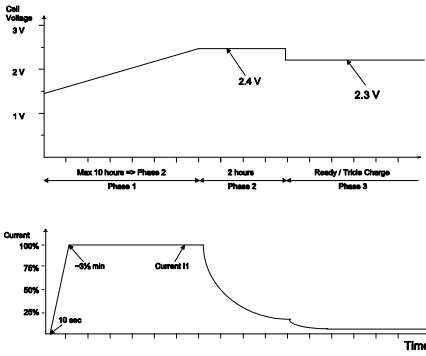
MASTER-SLAVE CONNECTION (24V models as a type number example)

Master units ***)	Slave units
ADC4370/24 or ADC4370/24AI (optional for ADC4370/24T)	ADC4370/24S RS-232 control bus in and out
Control to slave via RS-232 bus	ADC4370/24SH slave unit with relay, RS-232 bus in only
Cable set for master slave connection included in slave unit type number, 0.6m modular connectors in both ends	

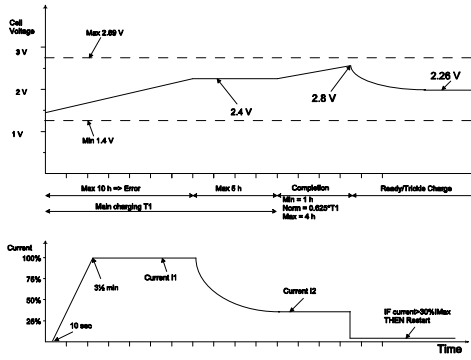
***) Master unit or slave with RS-232 bus output can not include the relay alarm

CUSTOMISED VERSIONS AVAILABLE

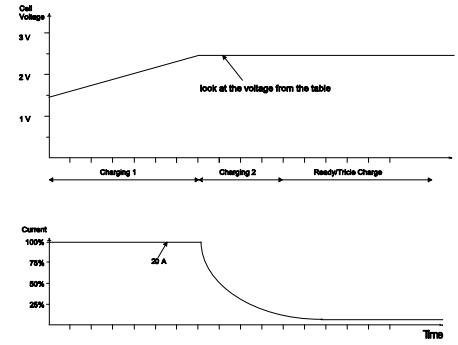
- Cyclic battery chargers or customized charging curves for all kind of batteries
- Sense models
- IP44 enclosures, 19" enclosures



Extended Charger



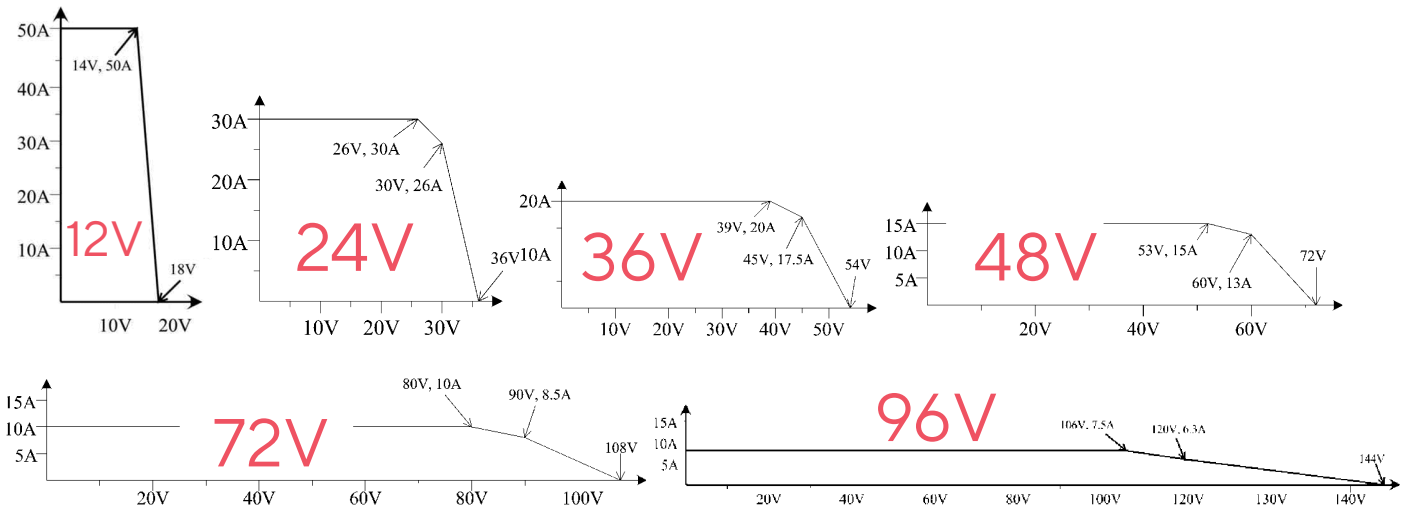
Unsealed Battery



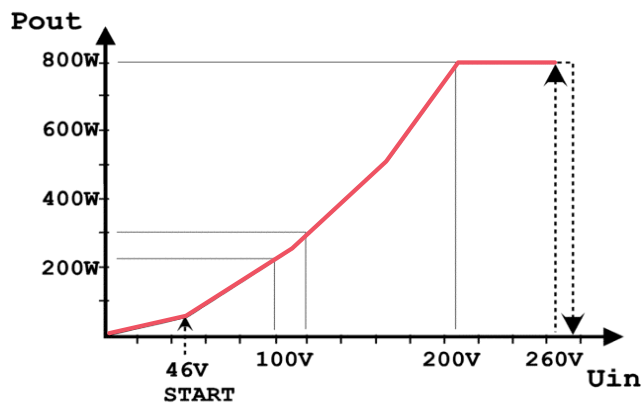
Constant Voltage Charger

TECHNICAL DATA

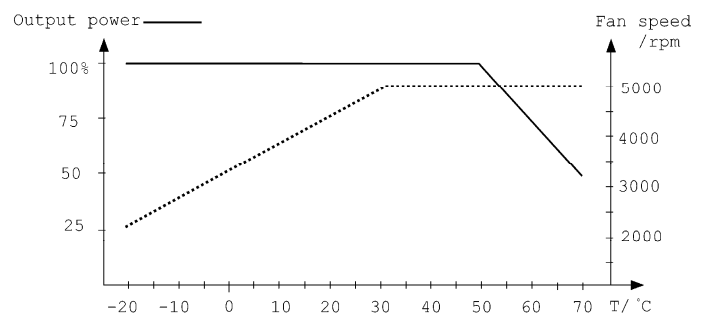
Input voltage		55...264 VAC (55...200VAC reduced power, see curve below) 78...340 VDC/max 600W (78...200VDC reduced power)
Input current		4.5A
Power factor		>0.99
Efficiency (230VAC, 10...100% load)		85...90%
Inrush current		<30A, limited by NTC resistor
Input fuse (inside the unit)		6.3A
Line regulation		± 0.1%
Load regulation		± 0.5%
Output setting accuracy		± 0.1%
Output ripple (f > 50Hz)		<50mVrms
Hold up time		> 5ms
Status LED indication		Orange Power OK LED
Isolations	Input - chassis	1500VAC
	Input - output	3750VAC
	Output - chassis	500VAC
EMC-Standard		EN 61000-6-1:2019 EN 61000-6-3: 2006 +A1:2010 EN 61000-3-2: 2018 EN 61000-3-3: 2013 + A1:2017
Approvals		CE marking all models
Protection class	Mechanical	IP20 metal enclosure
	Electrical	Class I
Dimensions	l x w x h	220 x 112 x 73 mm
Weight		1,5kg
Mounting		DIN-rail, wall, bench
Connectors	Input	Power cord 1.5m
	Output	24V-96V models: 6mm ² spring-cage connector +2m output cables 12V models 2m 10mm ² output cables
Cooling		Temperature controlled fan
Operating temperature range	Full power typically	-25°C...+50°C
	Reduced power	+50...+ 70°C, see curve below



Nominal output voltage / current characteristics 800W models



Output power / input voltage derating curve
See power limitation and start-up at DC input



Output power (typical) and fan speed vs ambient temperature

INSTALLATION

← The location must be dry, dust-free indoor use. The acceptable temperature range at full power is -25°C to +50°C. A higher ambient temperature will limit the power, see diagram first page. The power supply is not waterproof. Keep it dry and away from areas of high humidity to avoid the risk of electrical shock and damage to the charger.

↑ The equipment may be installed either vertically or horizontally. If charger is installed vertical so that cable plate is down, then the floor and all below charger must be nonburning material. If material type below the charger is unknown, then vertical assembling position is prohibited.

→ To ensure sufficient ventilation, leave approximately 10cm free space to both ends of the unit.

The charging process generates explosive hydrogen gas. Keep the area well ventilated. Never use an open flame or equipment that produces sparks near the charger.

> WARNING!

Dangerous voltages, capable of causing death, are present in this equipment. Do not remove the cover. No operator serviceable parts inside. Refer servicing to qualified service personnel.

ANALOG CONTROLLABLE MODELS BY EXTERNAL 0-5VDC VOLTAGE

This table shows which features are possible at the same time.

IF N THEN then not possible.

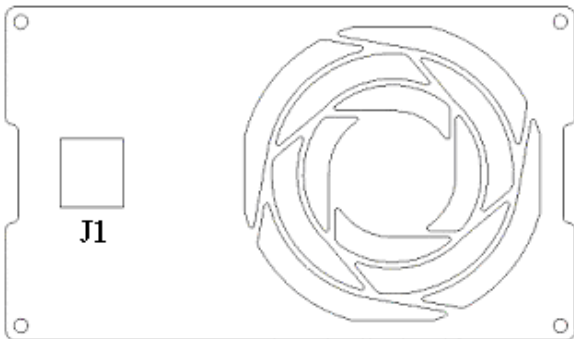
Some of allowed combinations are optional.

Contact manufacturer or your local distributor for further details.

	T r i m m e r	A n a l o g	R e l a y	B u s O u t	B u s I n	T e m p	S e n s e	C o d e S w i t c h			
Trimmer adjustment		N			N	N		N			
Analog control (isolated)	N				N	N		N			
Relay alarm				N							
Bus Out (RS-232 control to slave)			N								
Bus In	N	N									
Temp.comp.	N	N									
Sense											
Customised charging algorithm chargers with code Switch	N	N									

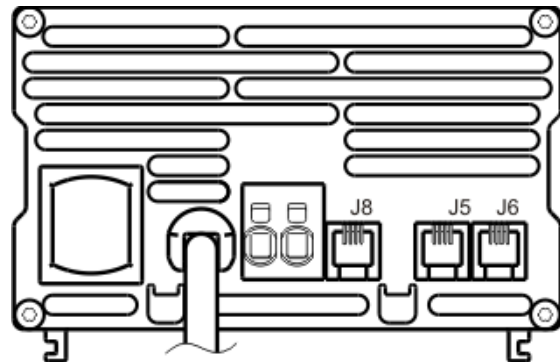
PIN CONFIGURATION, MODULAR CONNECTORS

Front panel

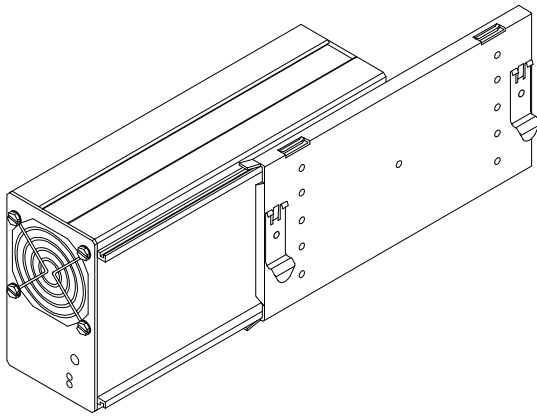


J1 Analog input 0-5VDC

Rear panel



- J8 RS-232 bus output, master-slave**
Alternatively power fail relay alarm
- J5 Temp.comp in temp.comp models, Sense option**
Alternatively R-232 bus input, master-slave
- J6 Optional external LED**



WALL MOUNTING

Screw the assembly board to the wall using the slots provided in the back of the board
Then place the PSU to the assembly board and fasten it by using the small screws on the sides on the board

DIN MOUNTING

Screw the din-clips to the assembly board
Then place the PSU to the assembly board and fasten it by using the small screws on the sides on the board
Finally snap the PSU to the DIN-rail

Plug the main power cord into electrical socket. After switching on the mains switch the unit is ready to be used.

POWER SUPPLY / CHARGING OPERATION

- ← Ensure that the unit is switched off and that the environment meets the conditions described previous section
 - ↑ Connect the output cables to the load / battery terminals: + cable to the + terminal and - cable to the - terminal.
- NOTE ! Do not cut output cables. If cables are cut, the output voltage is overcompensated as much as voltage drop in cables was. This overcompensation may cause voltage variation depending on current consumption.
- Turn the power on by turning the switch to the I position.
 - ↓ During the normal power supply operation / charging process the STATUS light will show a constant orange light.
 - ° To avoid sparking, turn the power off before disconnecting the cables.

CONNECTION WITH DC INPUT

Wires in PSU's power cable to be connected as follows:

- L DC input positive or negative
- N DC input negative or positive
- PE Ground

OUTPUT VOLTAGE AND CURRENT LIMIT ADJUSTMENT

Trimmer or analog control adjustable modules, type example ADC4370/24 or ADC4370/24AI:

The output voltage and output current limit of the module can be adjusted as follows:

- Trimmer adjustable models: with the multi-turn potentiometer located on the front panel
- Analog controllable models by external 0-5VDC voltage, see detailed instructions

Both voltage and current can be adjusted from zero to maximum value. Maximum 800W output power is available within the adjustment range.

Temp. comp. models, type example ADC4370/24T:

Unit includes 16pcs of programmed output voltages, see temp. comp. models setting tables page. Any of these 16 different voltage settings can be taken in use and additionally this selected voltage can be adjusted $\pm 5\%$ with the trimmer on front panel. See instructions for choosing the programmed voltage and for the fine tune trimmer adjustment.

LED

A orange LED indicates that the output of the charger module is healthy.

OUTPUT OVERCURRENT PROTECTION

Output of the unit is protected against over current and short circuits by automatic, self-resetting electronic current limit.

SERIES / PARALLEL CONNECTION

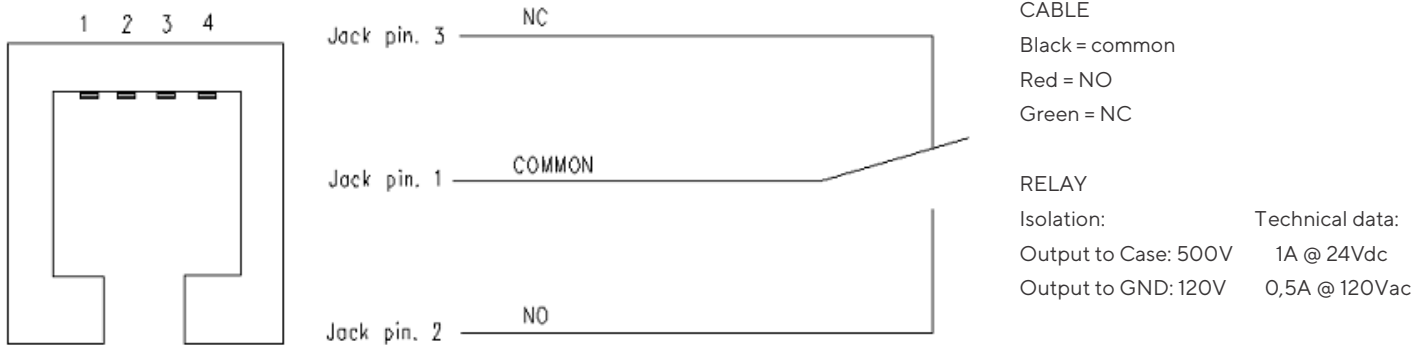
Parallel operation: No restrictions, passive load sharing.
Series operation: Up to 500V total voltage

ALARM RELAY MODELS, type number example ADC4370/24H

If the unit is ordered with alarm relay, the potential free alarm output indicates if the charger's output is healthy. The alarm signal is activated in AC fail and charger fail cases. Both normally open and normally closed signals are presented.

Pin Configuration, Modular connector J8 with relay alarm option

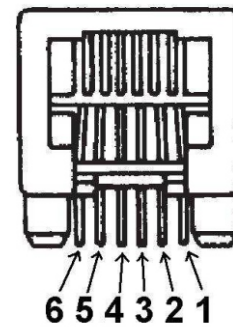
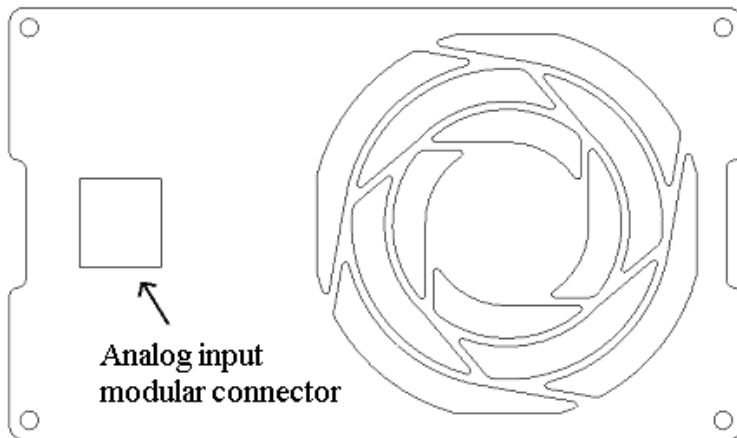
MODULAR JACK Front view



If power is off the COMMON is connected to NC. When power is switched ON the COMMON is connected to NO

ANALOG CONTROL MODELS, type number example ADC4370/24AI

Analog control option allows full control for output current and voltages and it gives measured values for both of these. There is also available +5V internal power source for logic use. The analog input have 500V electrical insulation to power supply's input and output.



Pin configuration:

1. Ground
2. Target value for current
3. Target value for voltage
4. Measured value for current
5. Measured value for voltage
6. +5V, (max 20mA) output

PIN CONFIGURATION, MODULAR CONNECTOR

Interface to analog control card is made through AMP Modular 6 connector. It's part number is 215-876-1. The product specification number is 108-19064 and application number is 114-19019. Part number for cable connector that fits to modular 6 is 737 336-1.

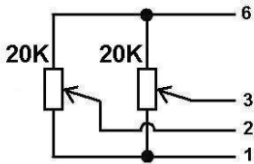
Controlling analog card:

All control voltages must be between 0 and 5 volts. Over 5V steering is not allowed. Logic for steering is positive so 5V in target value means maximum value from power supply and 0V means minimum output. If controlling connector is unplugged from modular connector, the power supply takes it's minimum values for output.

Measured values can be read from measured signals. Measured voltages are scaled equal as target values. If power supply lies on it's voltage reference, then measured voltage should be equal as target. Same thing on current steering and it's measured value. Measured signals (both together) can be loaded only 20mA or proper operation is not guaranteed.

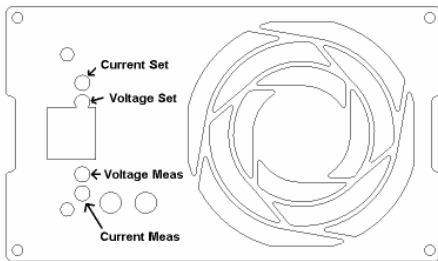
Modular connector is isolated from power supply's input, enclosure and output terminals. That allows serial and parallel connection to separate power supply's so that equal steering voltages are used. Number or connected devices are not limited. Only be sure that 500V insulation voltage is not exceeded. If connector in analog card is not a modular connector (9 pin D-connector), it is a different version of analog controlled power supply and this manual is not valid to it.

Connection example, using internal +5VDC power source and external potentiometers:



+5V output can be used to feed logic voltages for external circuits. Connection in an example works as a potentiometer controlled power supply. It is important to notice that +5V output is not allowed to load more then 20mA or proper operation is not guaranteed.

Tuning instructions:



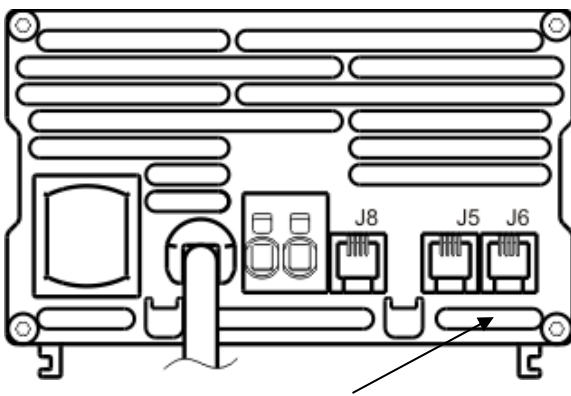
ADC4370 front panel
Location of tuning trimmers for analog control
Trimmers are covered by sticker

> Attention !!!

Analog interface is tuned in a factory before it is delivered to customer. There should not be any reason for tuning if card is used between 0-5V voltage values. Qualified person is needed for tuning the device. Tuning can be done with a pair of digital multi meters and example schematic above. Procedure is following:

1. Adjust from potentiometers 5V to voltage target and 2V for current target. Connect digital voltage meter to power supply output. Tune from "Voltage Set" trimmer maximum output voltage to right value.
2. Connect digital voltage meter to Modular pin number 5. Tune from trimmer "Voltage Meas" so that digital voltage meter shows always equal value as is in pin 3 (target voltage).
3. Connect digital current meter to output so that it short-circuits the output. Now tune current target potentiometer to 5V. Tune from "Current Set" trimmer output current to value that is maximum value for device according to it's specification. Be sure that your current meter has a right range. Do never exceed the current values that are specified for the device. If specified value is not known, take a contact to distributor.
4. Measure with digital multi meter voltage from Modular connector pin 4 Tune from trimmer "Current Meas" to equal with voltage in modular pin 2 (Target Current).

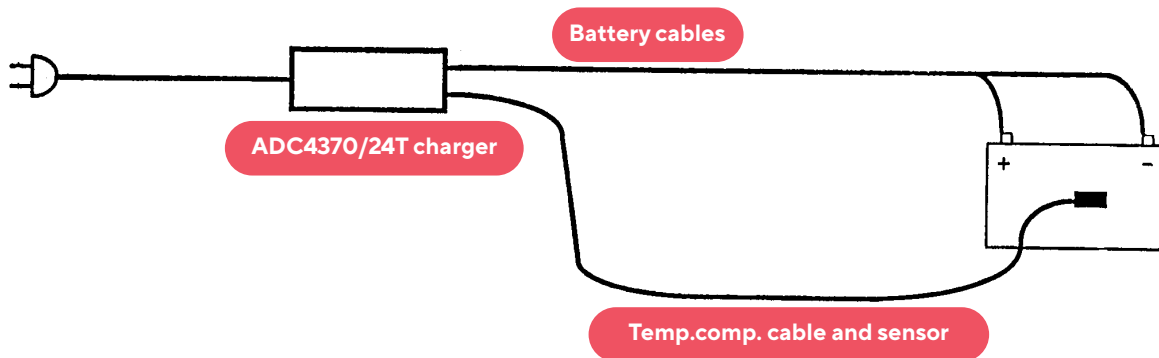
TEMPERATURE COMPENSATION MODELS, type number example ADC4370/24T



**Temp.comp. / sense
Modular connector**

The temp.comp cable enables the charger to adjust the output voltage in accordance with battery voltage and temperature fluctuations

See instructions for changing and adjusting the output voltage



MASTER SLAVE CONNECTION

Using master power supply together with Slave unit.

Master unit can be trimmer adjustable standard model ADC4370/24 or analog controllable model ADC4370/24AI (24V as an example).

Note !

Unit with relay alarm, type example ADC4370/24H can't be used as a master unit.

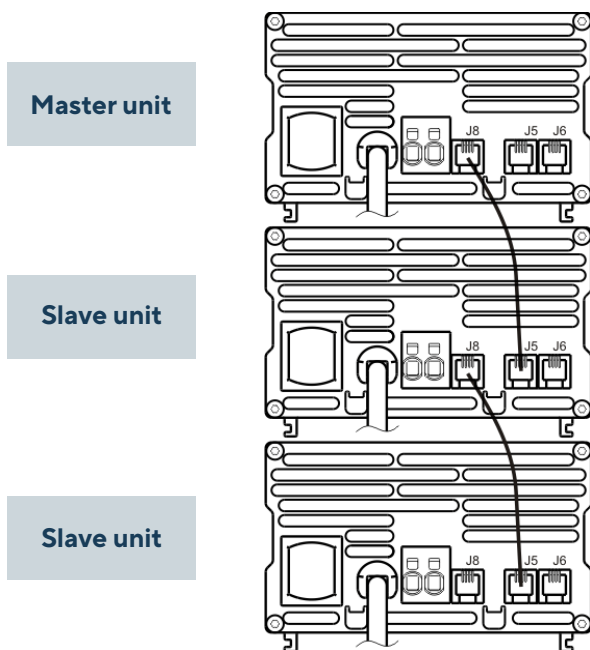
Slave unit is separate unit without any adjustment possibility, type ADC4370/24S or ADC4370/24SH slave with relay alarm (24V as an example).

Note !

Slave with relay alarm, type ADC4370/24SH can't control another slave unit.

If more current is needed adjustable Master power supply can be parallel or series connected via digital bus to Slave power supply which equals Master but is without adjustment possibility. Then output current or voltage is doubled and the both supplies can still be adjusted thought multi turn potentiometers. If still more current is needed then more Slave power supplies can be connected in parallel so much that desired current value is reached. Supply's output terminals and communication bus terminals are isolated so that output's serial connection is allowed for more voltage.

Bus cable connection:



Bus cables can be connected from previous units to the next with the same way. The first unit must be the master unit (with adjusting knobs). Wrong connection does not damage the units but in that case slaves does not follow the master's commands. Quantities of the slave units are unlimited.

PROGRAMMED VOLTAGES FOR TEMP.COMP. MODELS, type number example ADC4370/24T

ADC4370/12T 12VDC 50A

Code switch position	Nominal Battery voltage	Voltage factory setting	Adjustment range		Output Current	Factory default
			-5%	+5%		
0		3,3 VDC	3,14 VDC	3,47 VDC	50 A	
1		5 VDC	4,75 VDC	5,25 VDC	50 A	
2		6 VDC	5,7 VDC	6,3 VDC	50 A	
3	6 VDC	6,85 VDC	6,51 VDC	7,19 VDC	50 A	
4		7,5 VDC	7,13 VDC	7,88 VDC	50 A	
5		9 VDC	8,55 VDC	9,45 VDC	50 A	
6		10 VDC	9,5 VDC	10,5 VDC	50 A	
7		11 VDC	10,5 VDC	11,6 VDC	50 A	
8		12 VDC	11,4 VDC	12,6 VDC	50 A	
9		13 VDC	12,4 VDC	13,7 VDC	50 A	
A	12 VDC	13,7 VDC	13 VDC	14,4 VDC	50 A	X
B	12 VDC	13,7 VDC	13 VDC	14,4 VDC	33 A	
C	12 VDC	13,7 VDC	13 VDC	14,4 VDC	17 A	
D		15 VDC	14,3 VDC	15,8 VDC	50 A	
E		16 VDC	15,2 VDC	16,8 VDC	50 A	
F		17 VDC	16,6 VDC	18 VDC	maximum	

ADC4370/24T 24VDC 30A

Code switch position	Nominal Battery voltage	Voltage factory setting	Adjustment range		Output Current	Factory default
			-5%	+5%		
0		5 VDC	4,75 VDC	5,25 VDC	30 A	
1		12 VDC	11,4 VDC	12,6 VDC	30 A	
2	12 VDC	13,7 VDC	13 VDC	14,4 VDC	30 A	
3		15 VDC	14,3 VDC	15,8 VDC	30 A	
4		18 VDC	17,1 VDC	18,9 VDC	30 A	
5		20 VDC	19 VDC	21 VDC	30 A	
6		22 VDC	20,9 VDC	23,1 VDC	30 A	
7		24 VDC	22,8 VDC	25,2 VDC	30 A	
8		26 VDC	24,7 VDC	27,3 VDC	30 A	
9	24 VDC	27,4 VDC	26 VDC	28,8 VDC	30 A	X
A	24 VDC	27,4 VDC	26 VDC	28,8 VDC	20 A	
B	24 VDC	27,4 VDC	26 VDC	28,8 VDC	10 A	
C		28 VDC	26,6 VDC	29,4 VDC	30 A	
D		30 VDC	28,5 VDC	31,5 VDC	maximum	
E		33 VDC	31,4 VDC	34,7 VDC	maximum	
F		35 VDC	33,3 VDC	36 VDC	maximum	

ADC4370/36T 36VDC 20A

Code switch position	Nominal Battery voltage	Voltage factory setting	Adjustment range		Output Current	Factory default
			-5%	+5%		
0		12 VDC	11,4 VDC	12,6 VDC	20 A	
1	12 VDC	13,7 VDC	13 VDC	14,4 VDC	20 A	
2		15 VDC	14,3 VDC	15,8 VDC	20 A	
3		20 VDC	19 VDC	21 VDC	20 A	
4		24 VDC	22,8 VDC	25,2 VDC	20 A	
5	24 VDC	27,4 VDC	26 VDC	28,8 VDC	20 A	
6		30 VDC	28,5 VDC	31,5 VDC	20 A	
7		33 VDC	31,4 VDC	34,7 VDC	20 A	
8		36 VDC	34,2 VDC	37,8 VDC	20 A	
9		38 VDC	36,1 VDC	39,9 VDC	20 A	
A	36 VDC	41,1 VDC	39 VDC	43,2 VDC	20 A	X
B	36 VDC	41,1 VDC	39 VDC	43,2 VDC	13 A	
C	36 VDC	41,1 VDC	39 VDC	43,2 VDC	7 A	
D		45 VDC	42,8 VDC	47,3 VDC	maximum	
E		48 VDC	45,6 VDC	50,4 VDC	maximum	
F		52 VDC	49,4 VDC	54 VDC	maximum	

ADC4370/48T 48VDC 15A

Code switch position	Nominal Battery voltage	Voltage factory setting	Adjustment range		Output Current	Factory default
			-5%	+5%		
0		24 VDC	22,8 VDC	25,2 VDC	15 A	
1	24 VDC	27,4 VDC	26 VDC	28,8 VDC	15 A	
2		30 VDC	28,5 VDC	31,5 VDC	15 A	
3		36 VDC	34,2 VDC	37,8 VDC	15 A	
4	36 VDC	41,1 VDC	39 VDC	43,2 VDC	15 A	
5		45 VDC	42,8 VDC	47,3 VDC	15 A	
6		48 VDC	45,6 VDC	50,4 VDC	15 A	
7		52 VDC	49,4 VDC	54,6 VDC	15 A	
8	48 VDC	54,8 VDC	52,1 VDC	57,5 VDC	15 A	X
9	48 VDC	54,8 VDC	52,1 VDC	57,5 VDC	10 A	
A	48 VDC	54,8 VDC	52,1 VDC	57,5 VDC	5 A	
B		57 VDC	54,2 VDC	59,9 VDC	maximum	
C		60 VDC	57 VDC	63 VDC	maximum	
D		65 VDC	61,8 VDC	68,3 VDC	maximum	
E	60 VDC	68,5 VDC	65,1 VDC	71,9 VDC	maximum	
F		72 VDC	68,4 VDC	72 VDC	maximum	

ADC4370/72T 72VDC 10A

Code switch position	Nominal Battery voltage	Voltage factory setting	Adjustment range		Output Current	Factory default
			-5%	+5%		
0	24 VDC	27,4 VDC	26 VDC	28,8 VDC	10 A	
1	36 VDC	41,1 VDC	39 VDC	43,5 VDC	10 A	
2		48 VDC	45,6 VDC	50,4 VDC	10 A	
3		52 VDC	49,4 VDC	54,6 VDC	10 A	
4	48 VDC	54,8 VDC	52,1 VDC	57,5 VDC	10 A	
5		60 VDC	57 VDC	63 VDC	10 A	
6		65 VDC	61,8 VDC	68,3 VDC	10 A	
7	60 VDC	68,5 VDC	65,1 VDC	71,9 VDC	10 A	
8		72 VDC	68,4 VDC	75,6 VDC	10 A	
9		76 VDC	72,2 VDC	79,8 VDC	10 A	
A	72 VDC	82,2 VDC	78,1 VDC	86,3 VDC	10 A	X
B	72 VDC	82,2 VDC	78,1 VDC	86,3 VDC	7 A	
C	72 VDC	82,2 VDC	78,1 VDC	86,3 VDC	3 A	
D		88 VDC	83,6 VDC	92,4 VDC	maximum	
E	84 VDC	95,9 VDC	91,1 VDC	101 VDC	maximum	
F		104 VDC	98,8 VDC	108 VDC	maximum	

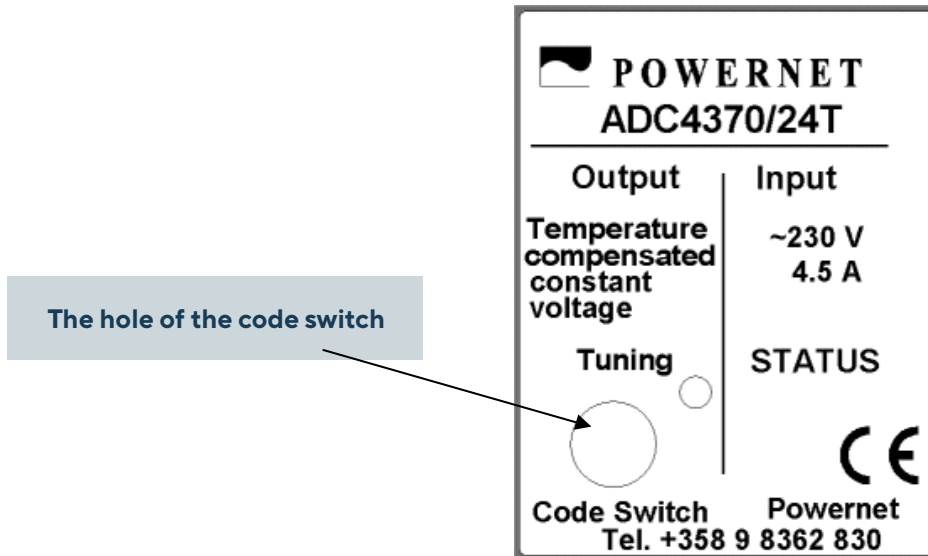
ADC4370/96T 96VDC 7,5A

Code switch position	Nominal Battery voltage	Voltage factory setting	Adjustment range		Output Current	Factory default
			-5%	+5%		
0		48 VDC	45,6 VDC	50,4 VDC	7,5 A	
1	48 VDC	54,8 VDC	52,1 VDC	57,5 VDC	7,5 A	
2		60 VDC	57 VDC	63 VDC	7,5 A	
3	60 VDC	68,5 VDC	65,1 VDC	71,9 VDC	7,5 A	
4		75 VDC	71,3 VDC	78,8 VDC	7,5 A	
5	72 VDC	82,2 VDC	78,1 VDC	86,3 VDC	7,5 A	
6		90 VDC	85,5 VDC	94,5 VDC	7,5 A	
7	84 VDC	95,9 VDC	91,1 VDC	101 VDC	7,5 A	
8		100 VDC	95 VDC	105 VDC	7,5 A	
9		110 VDC	105 VDC	116 VDC	7,5 A	
A		115 VDC	109 VDC	121 VDC	maximum	
B	108 VDC	123,3 VDC	117 VDC	129 VDC	maximum	X
C	108 VDC	123,3 VDC	117 VDC	129 VDC	5 A	
D	108 VDC	123,3 VDC	117 VDC	129 VDC	2,5 A	
E		130 VDC	124 VDC	137 VDC	maximum	
F		140 VDC	133 VDC	144 VDC	maximum	

Factory default code switch position by bold in tables

INSTRUCTION TO CHANGE THE PROGRAMMED VOLTAGE FOR TEMP.COMP./SENSE MODELS, type number example ADC4370/24T

- ← Disconnect the power cord from the power line.
- ↑ Disconnect the output cables from the battery to be charged.
- See the current code switch position of the unit.
- ↓ See new switch position code from the programmed output voltages sticker on the unit
- ° Rotate the code switch under the sticker to the required position.



> The adjustment can be checked as follows:

- Short-circuit the output cables of the charger (output short circuit).
- Connect the charger to the power line.
- Follow the Status-led color. Switch the charger on from the on/off switch.
- Count all the number of green blinks.
- There must be as much number of blinks as the code switch position number is.

Note!

- If the position of the code switch is O, Status-led blinks only once and returns to red.
- The code switch positions A...F respond numbers 10...15

> Now the charger has been adjusted!

> HINTS IF NOT SUCCEED

You didn't have chance to count the number of blinks

- => You can start the test with the on/off switch of the charger again and count.

You have made the wrong setting

- => Switch the charger off again and make the correct setting and count the blinking to check.

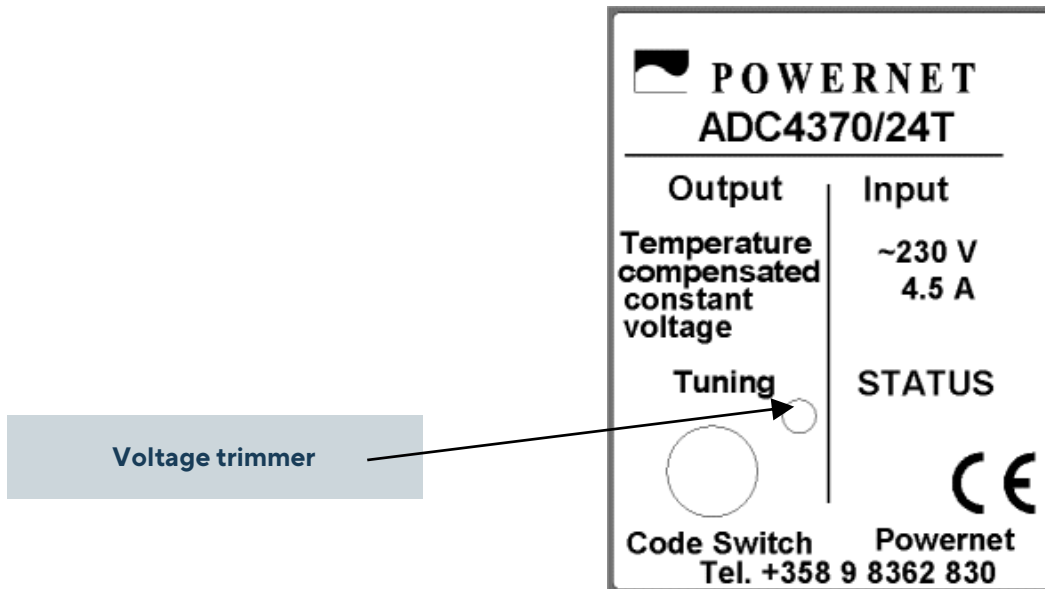
You cannot find the required charging algorithm on list available

- => Contact the seller / importer and ask if the charger can be up dated with the algorithm you need.

INSTRUCTION TO ADJUST TEMP.COMP/SENSE MODELS VOLTAGE BY THE TRIMMER, type number example ADC4370/24T

If the battery is charged in a very cold place or desired constant voltage didn't found from the charging algorithm list, then there is a need to tune the output voltage. The output voltage can be tuned +/-5% from its nominal value.

- ← Choose such programmed output voltage, which can reach the desired voltage by +/-5% adjustment. Read the instruction from "Changing programmed voltage".
 - ↑ Connect the voltage meter to output wires.
 - Tune with a small screw driver the voltage calibration trimmer and check the result from volt meter. Clockwise direction increases the voltage.
- Look at the position below



> When desired voltage is found the tuning is ready.

Note !

The voltage tuning trimmer affects to every programmed voltage settings. The original list is not valid without returning the original tuning. Incorrect trimmer tuning may be harmful to the battery.

Enedo Headquarters

Martinkyläntie 43
01720 Vantaa
Finland

Tel: +358 9 478 466
info@enedopower.com

www.enedopower.com

brochure time/version: 2021/12