

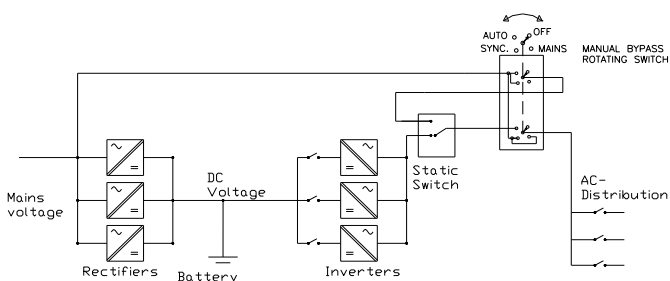
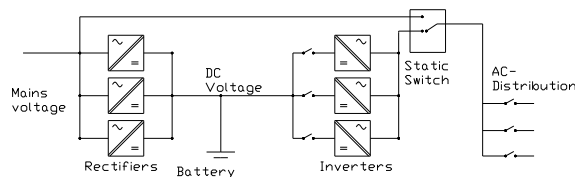
BPU69000

DUAL 7.5kVA

Datasheet



7.5kVA External Static Switch for DAC60000 Dual Inverters



Features

- Small size, light weight, standard 19" rack
- On-line/off-line configurations, user changeable during operation
- Fast switching, user programmable reaction time for optimized system performance
- Large user programmable synchronization range
- Continuous microprocessor based internal monitoring and diagnostics
- Remote monitoring through RS-232 with standard PC

User programmable parameters

- On-line/Off-line configuration
- Minimum and maximum inverter RMS voltage conformity
- Minimum and maximum mains RMS voltage conformity
- Minimum and maximum mains frequency conformity
- Maximum allowed mains frequency change rate
- Load level to return to inverter supply after overload
- Delay to switch to inverters at rapid mains blackout or over voltage (min. 1ms)
- Delay to switch to mains at rapid inverter blackout or over voltage (min. 1ms)

STATIC SWITCH (BYPASS) MODULES								
Type	Nominal Voltage	Frequency Range	Nominal Power	Max continuous Current	Max off-line short time peak current	Cooling	Dimensions Without Handles	Weight
BPU69230FR	230VAC	40-70Hz	7500VA	33A	Limited by mains fuse	Forced, fan	220 x 64 x 409 mm	3 kg

19" 1.5U POWERFRAMES (sub-racks)	
Type	Description
MSR8180	Sub-rack for inverter and static switch, 19" x 1.5U x 480mm
MBP68300	Sub-rack including manual bypass and position for static switch (separate datasheet)
MBP68360	Sub-rack including manual bypass, AC-distribution and position for static switch, see separate datasheet for fuse types
8169274	Cover plate set for empty module space in 19" 1.5U sub-rack

SPECIFICATION

ELECTRICAL

Operation voltage range	80 - 270 VAC
Synchronizing frequency range	40-70 Hz (user programmable)
Protection, external fuse in mains AC input	MCB 40A B-, C- or D-curve or gG fuse 40A
Efficiency at full load	> 99 % @ 230VAC
Overloading capability (off-line)	Limited by mains fuse

MECHANICAL

Enclosure	Steel casing IP20
Connectors in modules rear panel	plug-in connectors DIN41612 F48, DIN41612 H15
Connectors in power frame's rear panel	MSR8180 Mains in and AC out (Lin, Lout, N) and GND M5 screw for cable clamp Inverter AC input internally connected in power frame
	MBP68300 Mains in and AC out screw terminals 10mm ² (L-N-PE)
	MBP68360 Mains in screw terminals 10mm ² and 3 x AC out terminals 10mm ² (L-N-PE) Inverter AC input connected via bus bars

ENVIRONMENTAL

Operating temperature	0...45 °C full power, 45...60 °C reduced power
Cooling	Forced cooling front to rear, 2 fans inside the module. Fans are redundant, one fan is enough for cooling in normal conditions.

STANDARDS

Safety	EN 60950-1
EMC	EN 55022B, EN61000-6-3, EN61000-6-2 or EN61000-6-1 (EN61000-4-3 radiated immunity according to EN61000-6-1 other immunity standards EN61000-6-2)

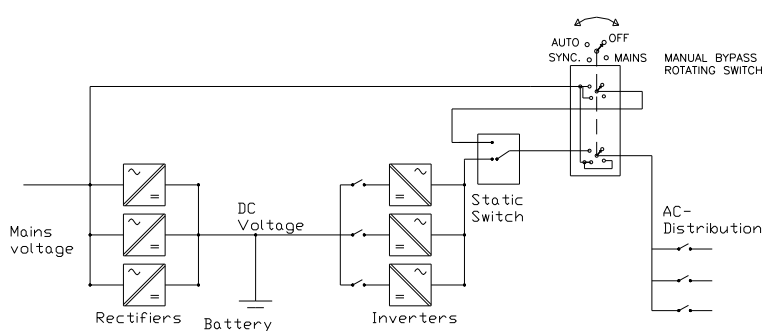
ALARMS AND INDICATORS

LED indications	Overload – Fault - Mains failure - Mains in use - Inverter failure - Inverter in use – Synchronized - Communication
-----------------	--

Relay alarms	Fault in system Primary supply failure
--------------	---

Remote monitoring through RS-232

SYSTEM SOLUTIONS AND AC-DISTRIBUTION



Standard modules

ENEDO have readymade AC-distribution and manual bypass solutions to build full inverter systems just by choosing needed modules.

Customised solutions

Customised distribution solutions are also available based on project needs.



Complete Inverter System

MBP68300 fits ideally to be used with DAC60000 Dual 19" 1.5U inverters. Up to 6 pcs of 1500VA inverters max 7.5kVA n+1 can be installed in parallel including external static switch, manual bypass and AC-distribution. MBP68300 and inverters are installed on top of each other in 19" cabinet

Ordering information: See separate datasheets