

# OPUS BATTERY CABINETS

## Battery cabinets for front terminal batteries

Accessory to  
OPUS DC Systems

### BATTERY CABINETS

BC-2066 2000 x 600 x 600 mm

BC-1666 1600 x 600 x 600 mm



POWER  
GENERATION &  
DISTRIBUTION



PROCESS  
INDUSTRY



DEFENCE &  
SECURITY

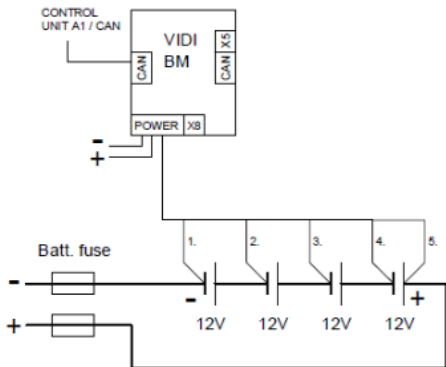


TELECOM



#### OPTION:

VIDI-BM battery block voltage monitoring



#### Product Description

OPUS BATTERY CABINETS are visually similar cabinets as OPUS power systems. Cabinets include 4 battery shelves and user terminals for connections in the cabinet. Batteries up 700kg and other user equipment can be installed to the cabinet.

#### Features:

- Battery shelves 320x530x595 mm, 4 pcs
- User terminals 35 mm<sup>2</sup> 8 pcs
- Cable entry from top, neopren cable glands – option bottom cable entry
- Adjustable legs

OPTIONS: 19" adapters, Battery shelf plates, protection top cover IP21

### Order Information

Name	Order number	Description
BC-2066 OPUS	8160X0009188	OPUS Battery cabinet 2000 x 600 x 600 mm
BC-1666 OPUS	97M016	OPUS Battery cabinet 1600 x 600 x 600 mm



Enedo Finland Oy  
Martinkyläntie 43, 01720 Vantaa, Finland  
Tel +358 9 478 466  
www.enedopower.com